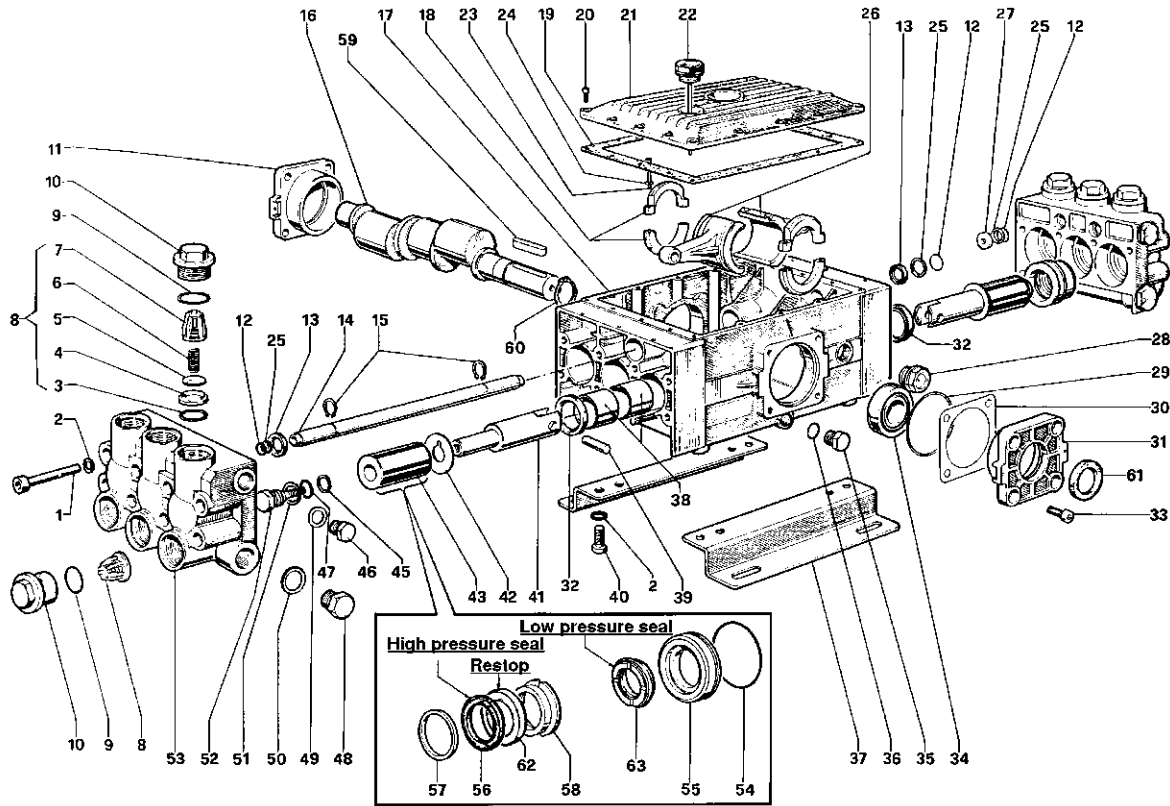


T Series 77 – 30 mm bore

GENERAL PUMP *A member of the Interpump Group*



PARTS LIST

ITEM PART NO.	DESCRIPTION	KIT NO.	QTY.	ITEM PART NO.	DESCRIPTION	KIT NO.	QTY.	ITEM PART NO.	DESCRIPTION	KIT NO.	QTY.
1.	99.4418.00	Screw	16	21.	77.2114.22	Cover	1	42.	96.7568.00	Washer	6
2.	96.7195.00	Washer	20	22.	98.2272.00	Oil Dip Stick	1	43.	76.0400.56	Plunger (30 mm)	6
3.	90.4059.00	O-Ring	43	23.	99.1927.00	Screw	12	45.	90.5107.00	Anti-Ext. Ring	74
4.	36.2011.66	Valve Seat	43	24.	96.6938.00	Washer	12	46.	98.2265.00	Cap	3
5.	36.2010.76	Valve	43	25.	90.5091.00	Anti-Ext. Ring	4	47.	90.3841.00	O-Ring	74
6.	94.7450.00	Spring	43	26.	77.0302.41	Connecting Rod	3	48.	98.2325.00	Cap	2
7.	36.2009.51	Valve Guide	43	27.	77.2203.70	Cap	2	49.	96.7700.00	Washer	3
8.	36.7065.01	Valve Unit	43	28.	97.5968.00	Oil Indicator	1	50.	96.7870.00	Washer	2
9.	90.4065.00	O-Ring	12	29.	90.4141.00	O-Ring	2	51.	96.7555.00	Washer	74
10.	98.2420.00	Cap	12	30.	76.2200.78	Shim	2	52.	69.2195.66	Plunger Bolt	74
11.	76.1501.22	Cover	1	31.	76.1500.22	Crankcase	1	53.	77.1210.41	Manifold	2
12.	90.3835.00	O-Ring	4	32.	90.1670.00	Ring	44	54.	90.3903.00	O-Ring	114, 115
13.	90.1614.00	Ring	4	33.	99.3652.00	Screw	8	55.	76.0800.70	Packing Retainer	114, 115
14.	77.2122.93	Head Conn. Tube	1	34.	91.8474.00	Bearing	2	56.	90.2770.00	Packing	113, 115
15.	90.0605.00	Cir-Clip	2	35.	98.2100.00	Cap	1	57.	69.1000.51	Head Ring	65, 115
16.	76.0210.35	Crankshaft	1	36.	90.3833.00	O-Ring	1	58.	69.2167.70	Intermed. Ring	66, 115
17.	77.0100.22	Crankcase	1	37.	76.2000.74	Foot	2	59.	91.4978.00	Key	1
18.	77.2120.01	Ring	6	38.	90.9172.00	Bushing	12	60.	90.0695.00	Cir-Clip	1
19.	77.2118.84	Gasket	1	39.	97.7400.00	Plunger Pin	6	61.	90.1672.00	Ring	32
20.	99.1867.00	Screw	16	40.	99.4266.00	Screw	4	62.	90.2774.00	Ring	113, 115
				41.	77.0500.54	Plunger Guide	6	63.	90.2776.00	Seal, Low Press., 30mm	113, 115

REPAIR KITS

KIT NO.	32	43	44	65	66	74	113	114	115
ITEM NO.s INCLUDED IN KIT	61	3, 4, 5, 6, 7 (8)	32	57	58	45, 47, 51, 52	56, 62, 63	54, 55	54, 55, 56, 57, 58, 62, 63
NUMBER OF ASSEMBLIES IN KIT	2	6	3	6	3	3	3	3	1
NUMBER OF CYLINDERS KIT WILL SERVICE	-	6	3	6	3	3	3	3	1

TORQUE SPECS*

Position	Ft.-lbs.
1	51.5
10	95.8
20	7.3
23	8.8
28	13.2
33	29.4
35	29.4
40	51.5
46	51.5
48	73.7
52	29.4